

Data Sheet

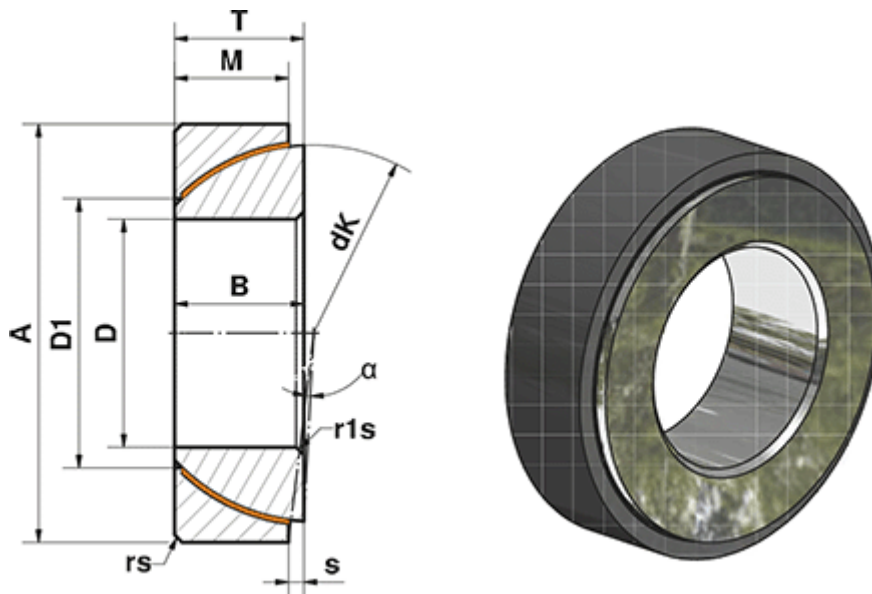


Article number: 03449045

Description: Fluro Heavy Duty Spherical Plain Bearing GE 45 SWE
Hole \varnothing 45

Note: 45

Measures



A	= 75	rs, r1s min	= 1
a (degrees)	= 3	S	= 3.5
B	= 20	Static load C0 (kN)	= 494
D	= 45	T	= 20
D1	= 53.7	Weight (g)	= 416
dK	= 68.5		
Dynamic load C (kN)	= 296		
M	= 18		